

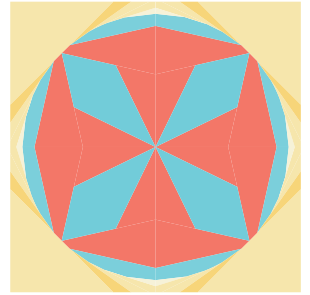
I love circles and they are often the subject of my designs. From an early age I engaged in ball sports and now my life can only be described as keeping 'Balls in the air'. So many quilting projects all at once.

Balls in the Air

for the Splendid Sampler™

Aylin Öztürk

Finished Block Size 6" x 6"

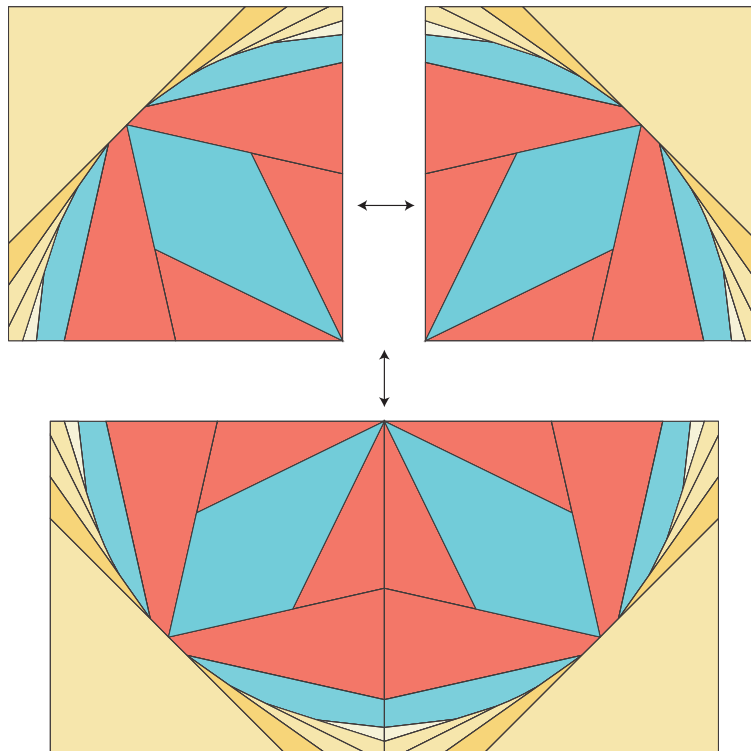


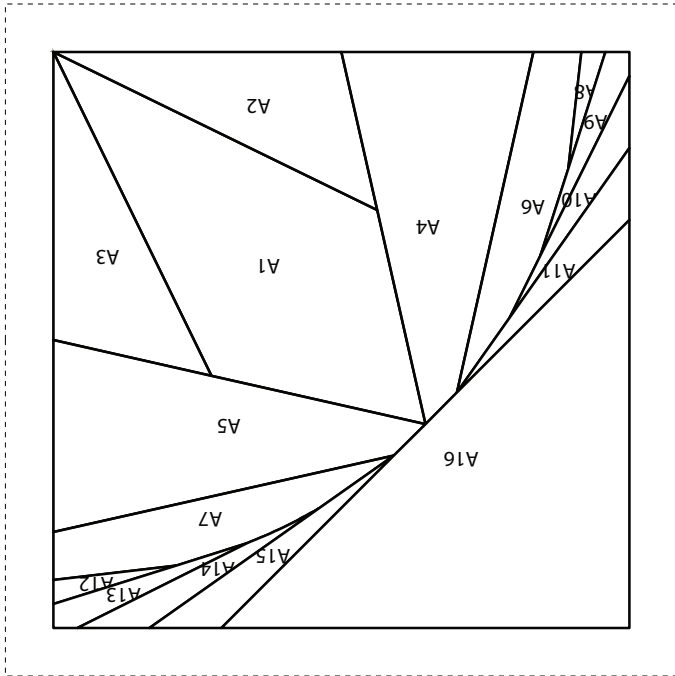
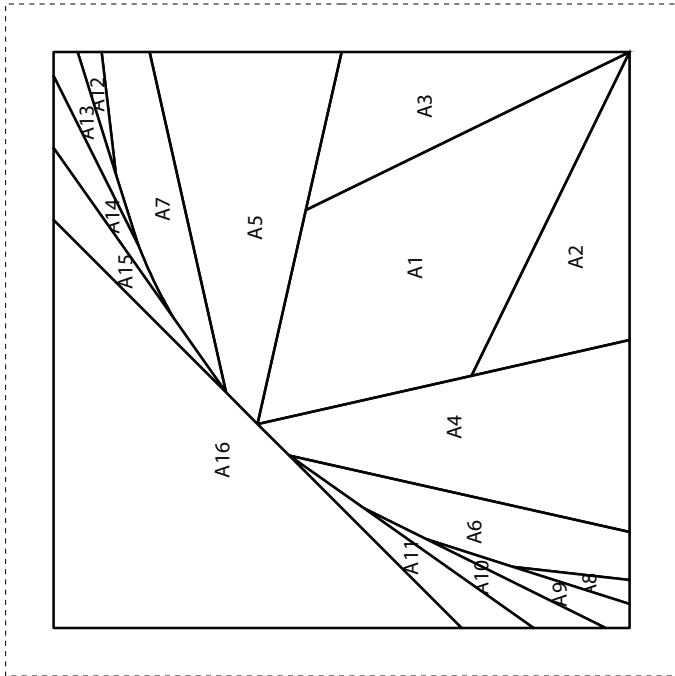
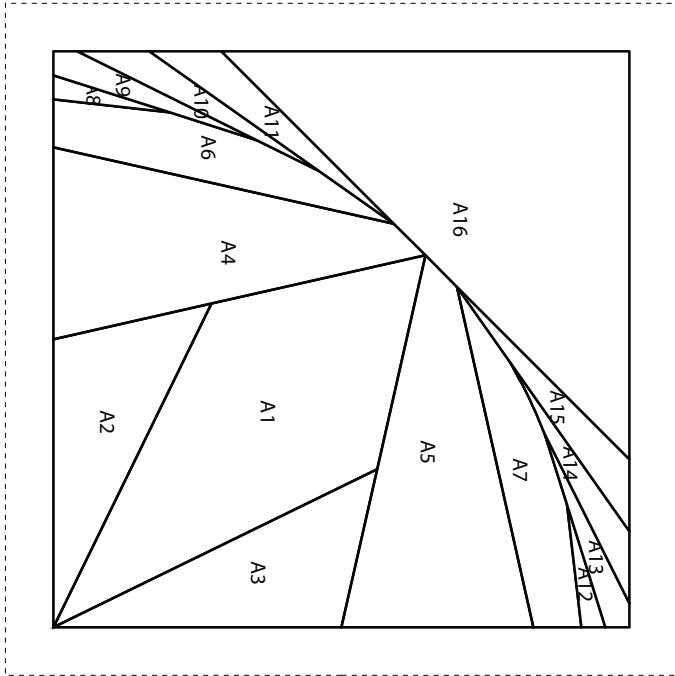
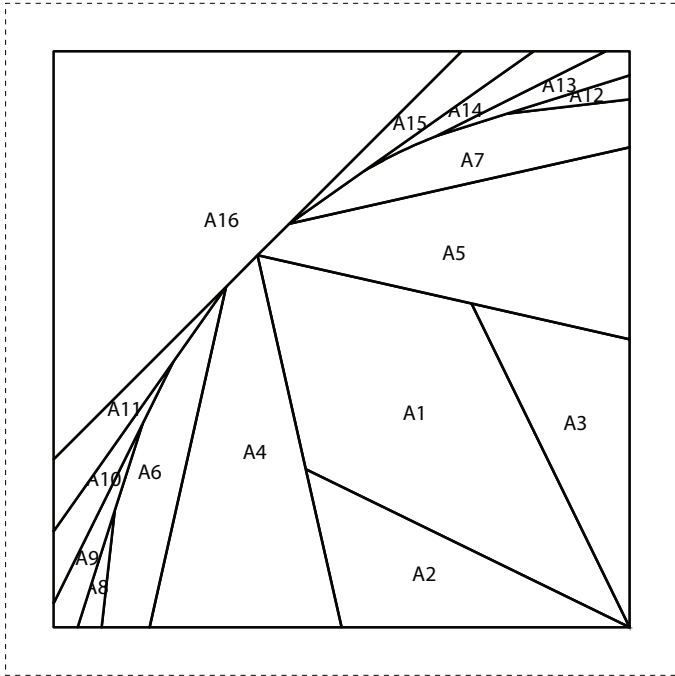
Requirements

- ✦ Assorted scraps of light fabrics for background A8, A9, A10, A11, A12, A13, A14, A15 and A16.
- ✦ Scraps of dark fabric for pieces A6, A7, A1
- ✦ Scraps of medium fabrics for pieces A2, A3, A4, A5.

Block Assembly

1. Cut out each template segment.
2. Paper piece each segment.
3. Trim segment to 3 ½" x 3 ½" square.
4. Join segments in pairs. Press seam open.
5. Join row. Press seam open.
6. Remove the papers.
7. Unfinished block size measures 6 ½" x 6 ½".





1 inch

#TheSplendidSampler

© Copyright 2015 Aylin Ozturk. This pattern is for personal use only. It cannot be used for commercial purposes. It cannot be copied or distributed in any format. It cannot be used with distribution of any product, including kits or made into a pattern for re-sale without the written permission from the designer.

