

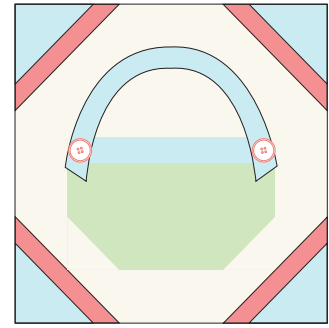
Antique baskets, handwoven baskets, pressed cardboard berry picking baskets (especially the turquoise ones)—I love 'em all. I treasure an antique market basket with 1"-wide oak slats that was handed down from my grandmother. And my hand sewing lives in a basket on my coffee table so it's always at the ready. If there's a basket quilt block to be had, sign me up.

Button Basket

for the Splendid Sampler™

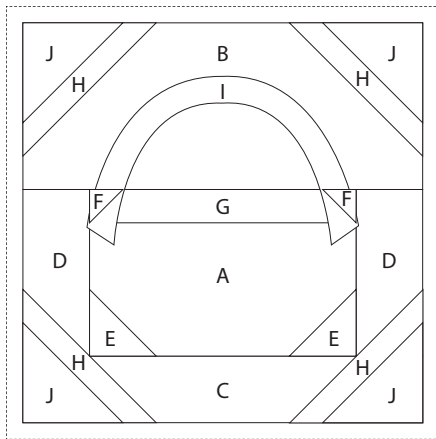
Karen Costello Soltys

Finished Block Size 6" x 6"



Requirements

- ✚ Basket: 4 ½" x 2 ½" rectangle (A)
- ✚ Background:
 - 1 rectangle, 3" x 6 ½" (B)
 - 1 rectangle, 1 ½" x 6 ½" (C)
 - 2 rectangles, 1 ½" x 3" (D)
 - 2 squares, 1 ½" x 1 ½" (E)
 - 2 squares, 1" x 1" (F)

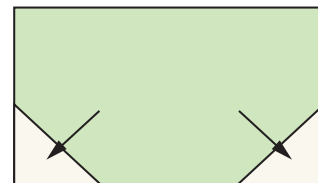
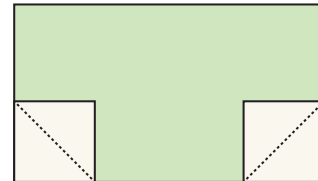


- ✚ Basket interior, handle, and block corners:
 - 1 rectangle, 1" x 4 ½" (G)
 - 4 squares, 2 ½" x 2 ½" (H)
 - 1 bias strip, 1" x 8" (I)

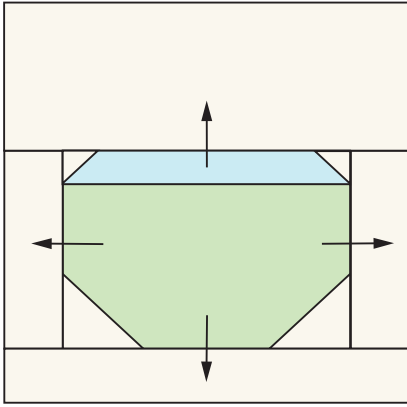
- ✚ Block corners: 4 squares, 1 ⅞" x 1 ⅞" (J)
- ✚ 2 small buttons for basket handles (⅜" - ½")
- ✚ 3" diameter drinking glass

Block Assembly

1. Using the folded corner technique, place a 1 ½" x 1 ½" (E) square on a bottom corner of the 2 ½" x 4 ½" (A) rectangle. Sew from corner to corner, flip piece E open and press. Repeat on the other bottom corner.



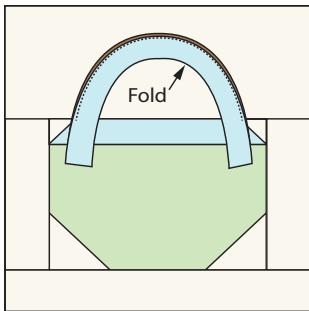
2. Using the folded corner technique in Step 1, sew the 1" x 1" (F) squares to the ends of the 1" x 4 ½" (G) rectangle.
3. Sew the F / G / F unit to the top of piece A rectangle. Press the seam allowances toward piece A rectangle.
4. Sew the 1 ½" x 3" (D) rectangles to the sides of basket.
5. Sew the 6 ½" x 3" (B) rectangle to the top and the 6 ½" x 1 ½" (C) rectangle to the bottom of the block. Press all seam allowances toward the background pieces.



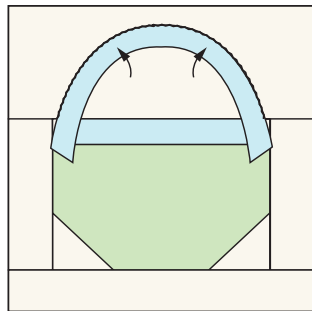
6. Press the bias strip (I) in half lengthwise, wrong sides together, to make the basket handle.
7. Using a drinking glass for a template, trace a curve onto the background fabric above the basket. Curve the bias strip around the marked line with the raw edges matching the marked line and leaving at least $\frac{1}{2}$ " of the strip ends below the top of the basket.

Tip: Don't pull the handle too tight, as you'll need lots of ease to flip the handle up and over the stitching.

8. Stitch about $\frac{1}{8}$ " from the raw edges, starting and stopping at the edge of the basket (the handle ends will be left unsewn). Sew slowly and pivot often to keep a smooth curve.
9. Flip the stitched bias strip up over the stitching and press flat. Machine or hand stitch the folded edge of the bias strip in place. Trim the raw ends at an angle but don't sew them down or turn them under.

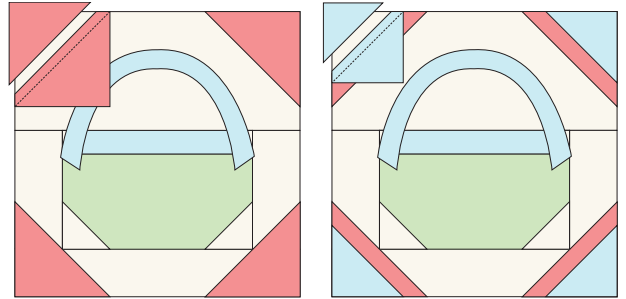


Place raw edges of bias along marked curve.

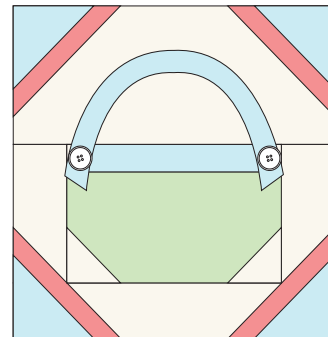


Flip strip over stitched edge.

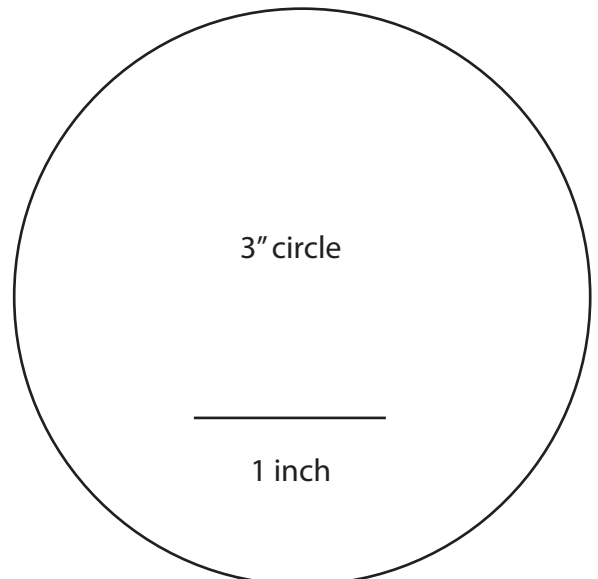
10. For each block corner, place a $2\frac{1}{2}$ " x $2\frac{1}{2}$ " (H) square right side down on each corner of the block.
11. Using the folded corner technique (see step 1), sew from corner to corner, press back the corner triangle. Trim the excess fabric from between the layers, but leave the background fabric in tact.
12. Using the folded corner technique, sew a $1\frac{7}{8}$ " x $1\frac{7}{8}$ " (J) square to each corner. Fold and press, and trim the excess fabric. Press the block well and then stay-stitch about $\frac{1}{8}$ " from the outer edges.

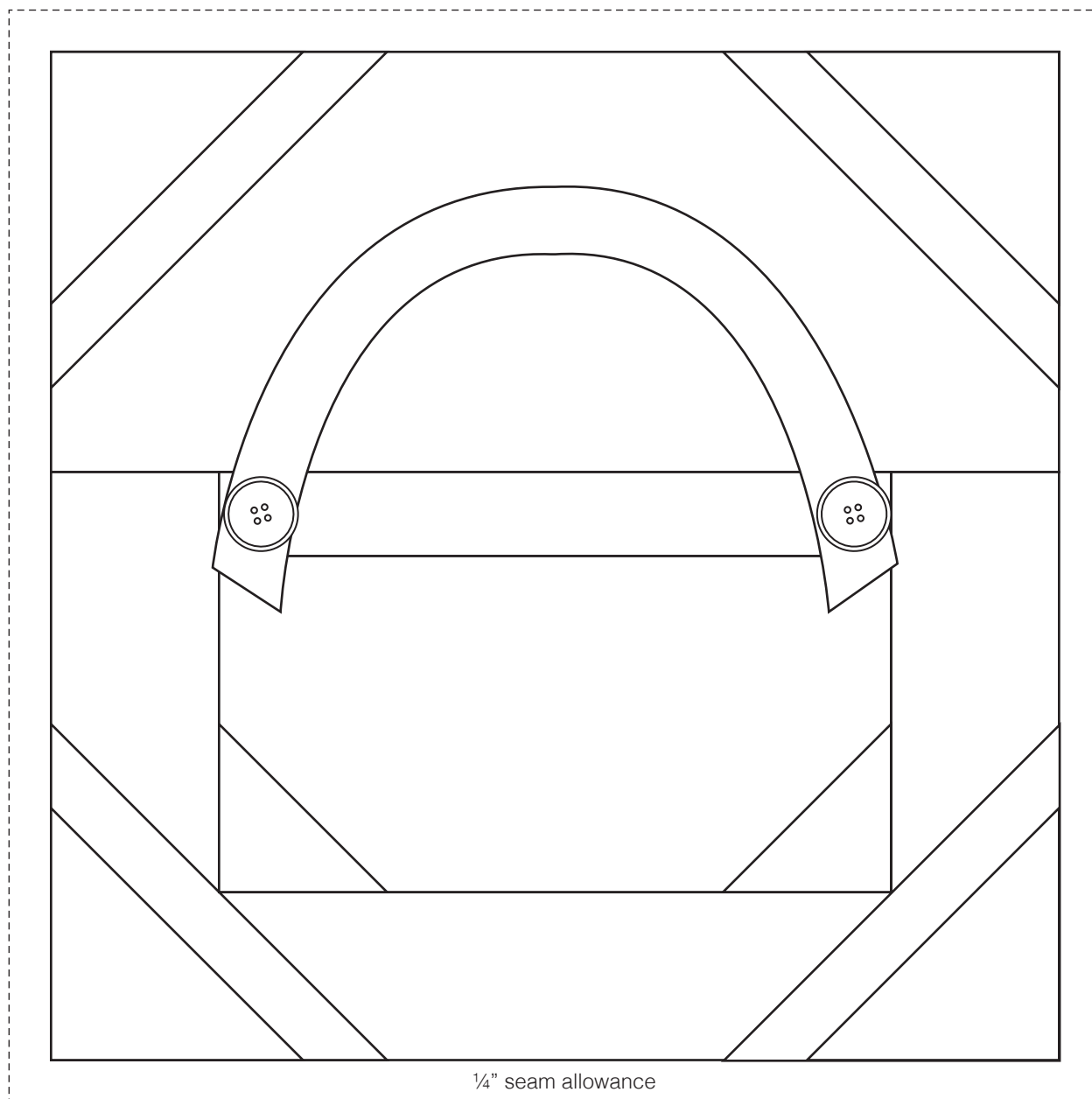


13. Sew a small button to each side of the basket to secure the raw ends and make it look like a swing-handle basket.

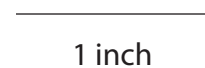


14. Unfinished block size $6\frac{1}{2}$ " x $6\frac{1}{2}$ ".





Do not 'fit to page' or scale



#TheSplendidSampler

© Copyright 2015 Karen Costello Soltys. This pattern is for personal use only. It cannot be used for commercial purposes. It cannot be copied or distributed in any format. It cannot be used with distribution of any product, including kits or made into a pattern for re-sale without the written permission from the designer.

